

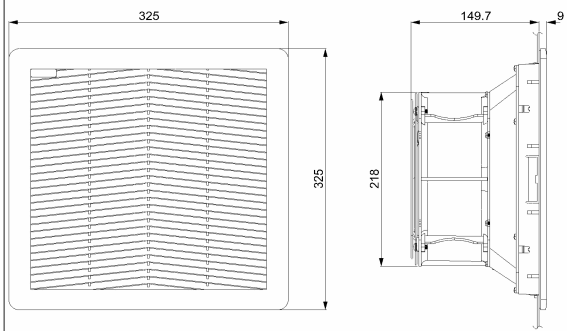
**"FPF20K" SERIES FAN FILTERS**

Description: **Fan filters 115/230/400 Va.c.**

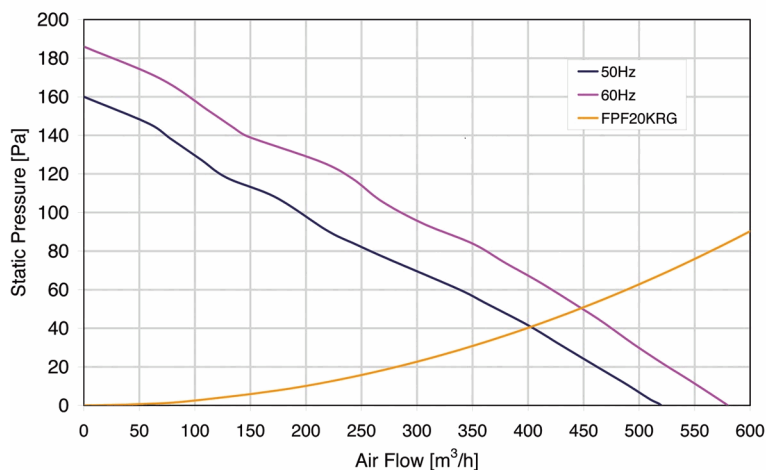
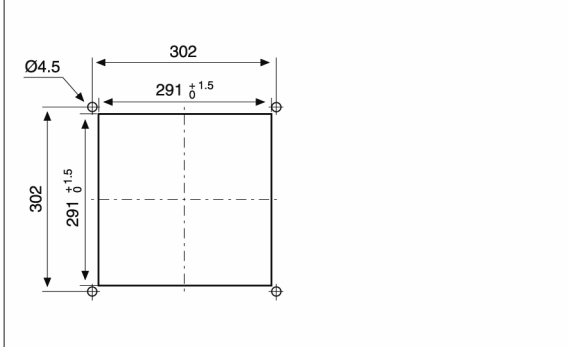


<b>Type of material:</b>	ABS/PC alloy
<b>Standard color:</b>	RAL 7032, RAL 7035 and RAL 9005 - other colors on request
<b>Protection degree:</b>	IP54, according to EN 60529 standard
<b>Fixing method:</b>	by elastic hooks, otherwise by four 4.8 mm self-threading screws
<b>Plate thickness:</b>	from 1.5 mm to 2.2 mm
<b>Storage temperature:</b>	from -30°C to +75°C
<b>Motor Lifetime L10 at 40°C (approx.):</b>	50,000 h
<b>Working class of capacitor:</b>	class B
<b>Motor protection:</b>	thermal
<b>Electrical connection:</b>	by screwless terminal block 3 poles L-N-PE or 4 poles L1-L2-L3-PE, 2.5 mm <sup>2</sup> (20 - 14 AWG)
<b>Earth connection:</b>	by PE pole
<b>Appliance class:</b>	Class I
<b>Type of filter media:</b>	thermo-linked progressive structure synthetic fibre
<b>Filtering class:</b>	class G3, according to EN 779
<b>Degree of separation:</b>	85% - DIN 24185
<b>Dust retention capacity:</b>	600 g/m <sup>2</sup>
<b>Note:</b>	filter media is washable for about 10 times
<b>Weight:</b>	3.7 kg
<b>Approvals:</b>	CE

**technical drawing**



**mounting cut-out**



Model	Voltage	Frequency	Rated Current	Rated Power	Max Air Flow**	Static Pressure	Fan Noise	Rated Temp. Range	Approvals
	(V)	(Hz)	(A)	(W)	(m <sup>3</sup> /h)	(Pa)	[db(A)]	(°C)	
FPF20K*115BE-120	115 V a.c.	50/60	0.54/0.65	50/64	520/580	160/186	66.0/69.2	-10 + +55	CE
FPF20K*115BER-120	115 V a.c.	50/60	0.54/0.65	50/64	520/580	160/186	66.0/69.2	-10 + +55	CE
FPF20K*230BE-120	230 V a.c.	50/60	0.335/0.405	77/92	520/580	160/186	65.3/68.1	-10 + +50	CE
FPF20K*230BER-120	230 V a.c.	50/60	0.300/0.382	67/87	520/580	160/186	65.3/68.1	-10 + +50	CE
FPF20K*400TBE-120	400 V a.c.	50/60	0.140/0.130	71/93	520/580	160/186	69.8/72.7	-10 + +55	CE
FPF20KR400TBER-120	400 V a.c.	50/60	0.140/0.130	71/93	520/580	160/186	69.8/72.7	-10 + +55	CE

\* U = RAL 7035 R = RAL 7032 N = RAL 9005 \*\* data with uncertainty of 15%